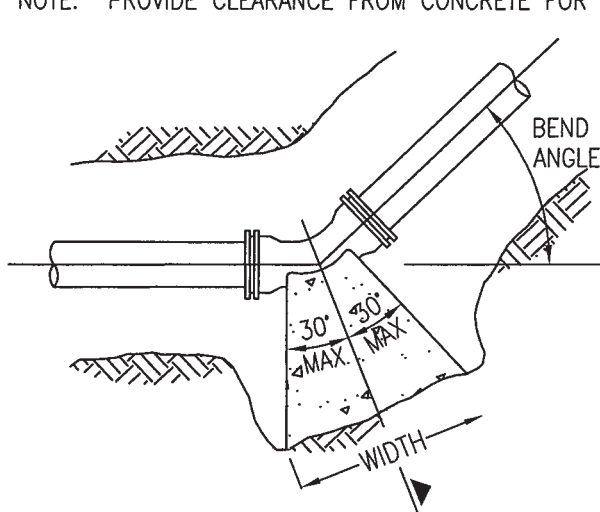
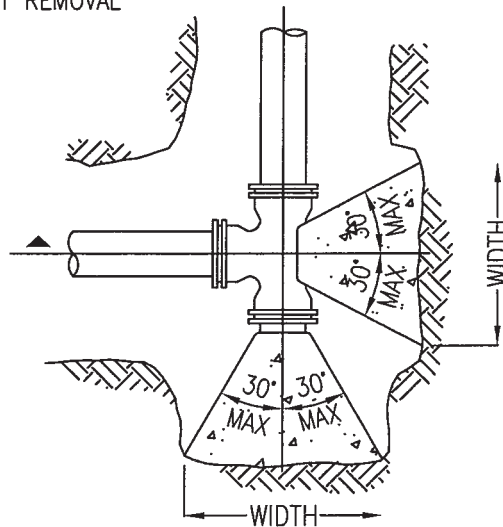


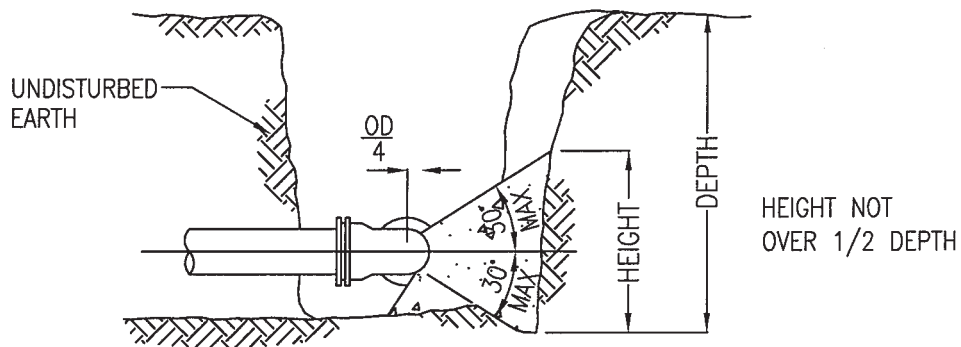
NOTE: PROVIDE CLEARANCE FROM CONCRETE FOR BOLT REMOVAL



TYP. BEND



TYP. TEE AND CAP



TYPICAL SECTION

NOTE: BEARING AREAS ARE BASED ON 225 P.S.I. TEST PRESSURE AND A SOIL RESISTANCE OF 2000 P.S.F. IF WEAK (LESS THAN 2000 P.S.F. RESISTANCE) SOIL POCKETS ARE ENCOUNTERED, INCREASE THE BEARING AREAS SHOWN TO PREVENT MOVEMENT UNDER TEST OR OPERATING PRESSURES.

PIPE SIZE	MINIMUM BEARING AREA (S.F.) = WIDTH X DEPTH				HYD, TEE, CAP VALVE, PLUG
	90° BEND	45° BEND	22-1/2° BEND	11-1/4° BEND	
3"	3	2	1	1	2
4"	4	2	2	1	3
6"	7	4	3	2	5
8"	12	7	4	3	8
10"	19	11	6	4	13
12"	26	15	8	5	18

THRUST BLOCKS TO BE CLASS 3000 PSI CONCRETE (MIN.)

ALL MECHANICAL JOINTS ARE TO BE PROVIDED WITH MEGA LUGE JOINT RESTRAINTS.

Jefferson Utilities Inc.

270 Industrial Boulevard
Kearneysville, WV 25430

THRUST BLOCK

Not to Scale

W-2.00

APPROVED DATE:
May 10, 2010