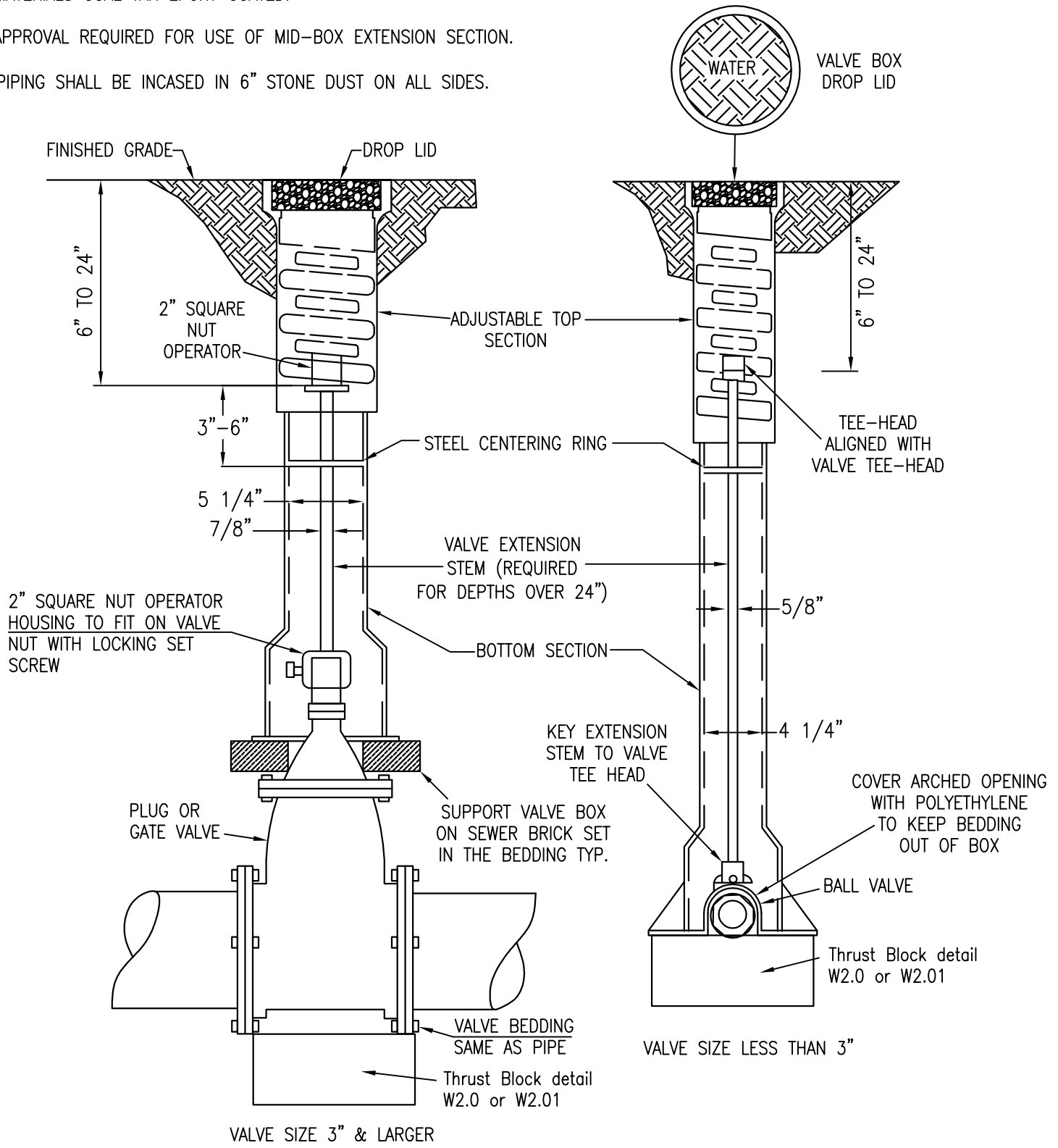


NOTES:

1. ALL MATERIALS COAL TAR EPOXY COATED.
2. JUI APPROVAL REQUIRED FOR USE OF MID-BOX EXTENSION SECTION.
3. ALL PIPING SHALL BE INCASED IN 6" STONE DUST ON ALL SIDES.



Jefferson Utilities Inc.

270 Industrial Boulevard
Kearneysville, WV 25430

**VALVE AND BOX
INSTALLATION**

•Not to Scale•

W-3.00

REVISED:
June 1, 2020