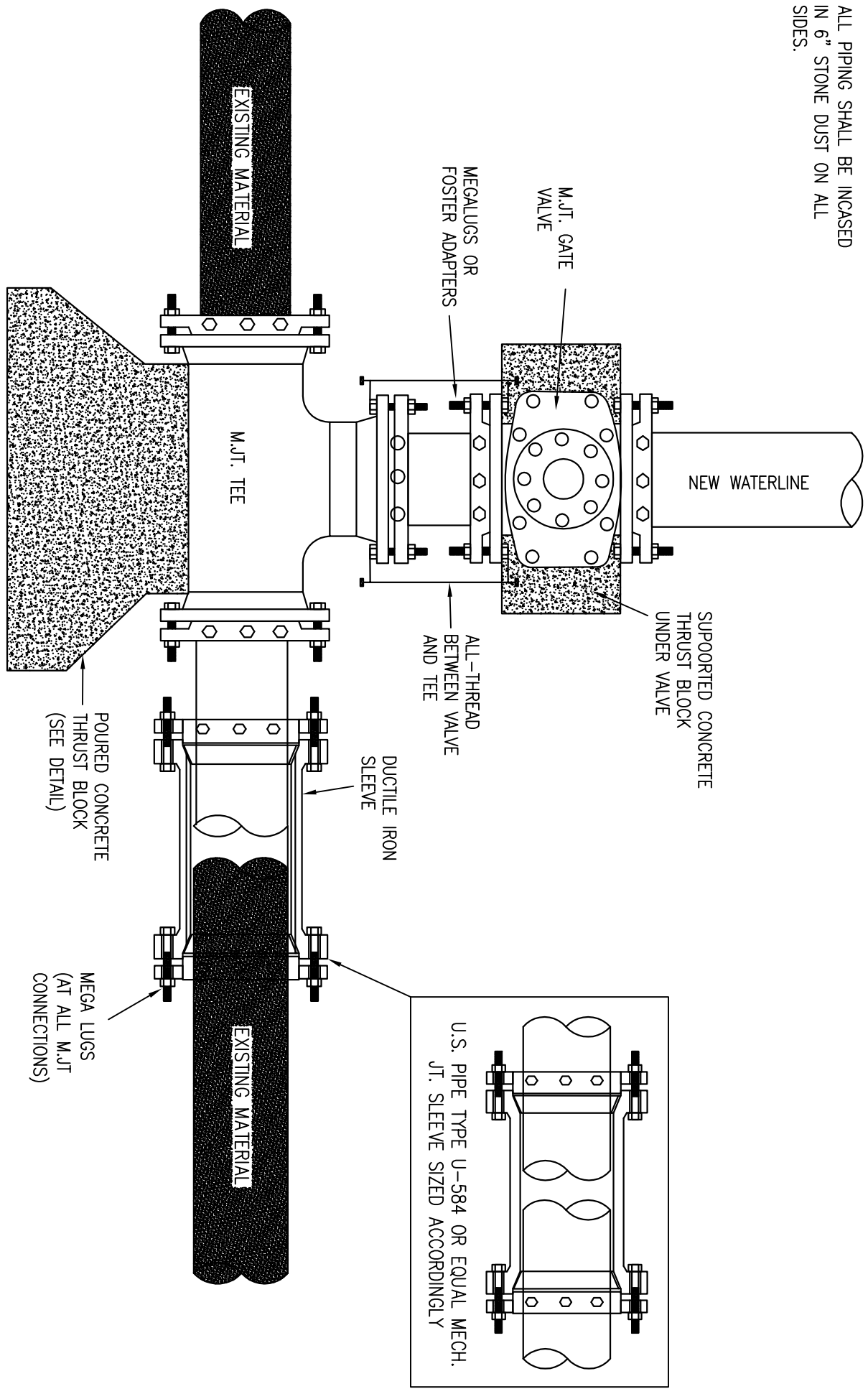


NOTE:  
 ALL PIPING SHALL BE INCASED  
 IN 6" STONE DUST ON ALL  
 SIDES.



**NEW WATERLINE TIE-IN/  
 CUT-IN TIE DETAIL**

•Not to Scale•